



For Security
Vari-Focal

Applicable camera (model)

YV2.4×2.5A-2

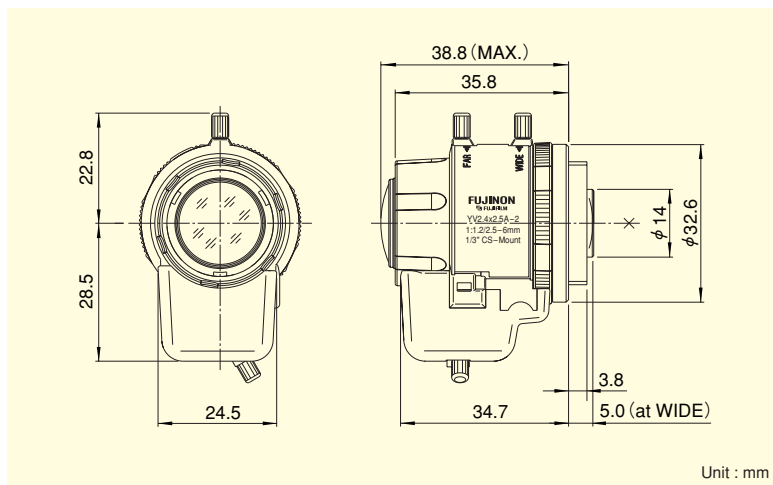
1 2/3 1/2 1/3 1/4

2.4×



NEW

- VARI**
Vari-Focal
- WIDE**
Wide Angle
- MANUAL**
Manual Iris
- CS-mt**
CS Mount
- METAL**
Metal Mount
- AT**
Aspherical Lens
- F1.2**
Wide Aperture Rate



Unit : mm

- Super wide angle spec, WIDE2.5mm, achieving the horizontal field angle of 110 degrees (when used on 1/3 cameras) .
- Wide aperture of F1.2, optimizing the performance at low lighting intensity.
- Compact and lightweight design, best suited for the use with dome cameras.
- High accuracy aspheric lens adopted, achieving the high quality image.

VARI-FOCAL LENSES

Focal Length (mm)			2.5~6 (2.4×)
Iris Range			F1.2 ~ Close
Operation	Zoom		Manual
	Focus		Manual
	Iris		Manual
Angle Of View (H×V)	1/3"	WIDE	110°00' × 80°58'
		TELE	46°11' × 34°34'
	1/4"	WIDE	80°58' × 60°80'
		TELE	34°34' × 25°54'
Focusing Range (From Front Of The Lens) (m)			∞ ~ 0.3
Object Dimensions at M.O.D. (H×V) (mm)	1/3"	WIDE	880 × 525
		TELE	262 × 191
	1/4"	WIDE	525 × 356
		TELE	191 × 141
Back Focal Distance (in air) (mm)			7.5
Exit Pupil Position (From Image Plane) (mm)			104
Filter Thread (mm)			—
Mount			CS
Mass (g)			30
Remarks		•With Metal Mount	