

TG0412FCS-3

4.0mm F1.2
for 1/3" format cameras
CS-Mount

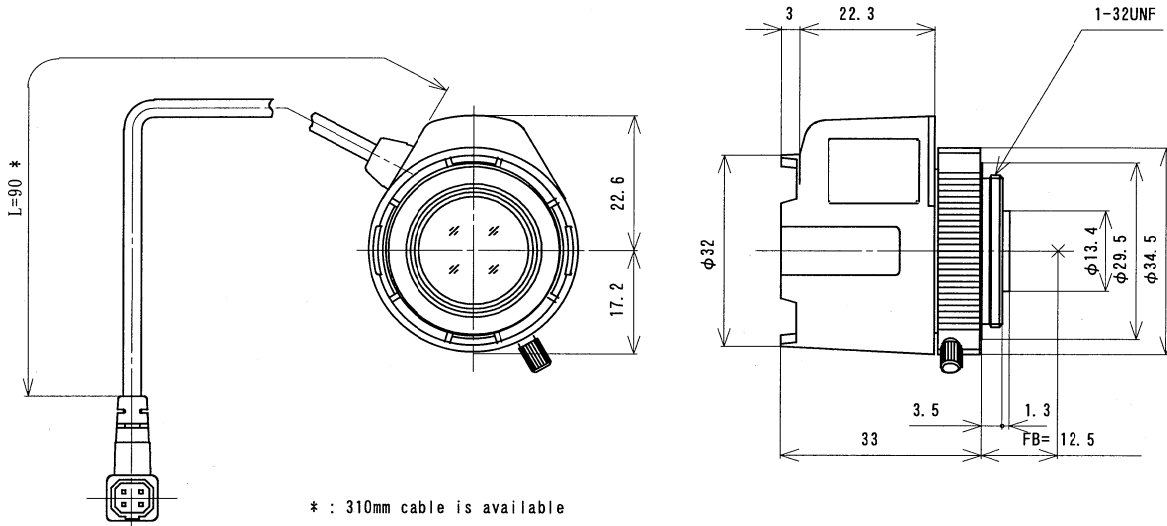
with Focus, w/o Amplifier

Model No.	TG0412FCS-3		Effective	Front	φ 15.5 mm
Focal Length	4.0mm		Lens Aperture	Rear	φ 8.5 mm
Max. Aperture Ratio	1 : 1.2		Back Focal Length	7.7 mm	
Max. Image Format	4.8 x 3.6mm (φ 6mm)		Flange Back Length	12.5 mm	
Operation Range	Iris	F1.2 ~ 360	Mount	CS-Mount	
	Focus	0.2m ~ Inf.	Filter Size	M30.0 P=0.5	
Control	Iris	Auto Iris(by galvanometer)	Dimensions	φ 32.0 × 39.8 × 33.0 mm	
	Focus	Manual	Weight	38g	
Object Dimension at M.O.D.	24.9 x 18.3cm				
Angle of View	D	1/3"	76.9°		
	H		63.9°		
	V		49.1°		
Coil	Drive	190 Ω			
	Control	855 Ω			
Operating Temperature	-20° C ~ +50° C				

1/3
CS
AG

M.O.D. : Minimum Object Distance

Dimensions



Wiring Diagram

