

T2625CS-P

2.6mm F2.5
for 1/3" format cameras
CS-Mount

Pinhole Lens

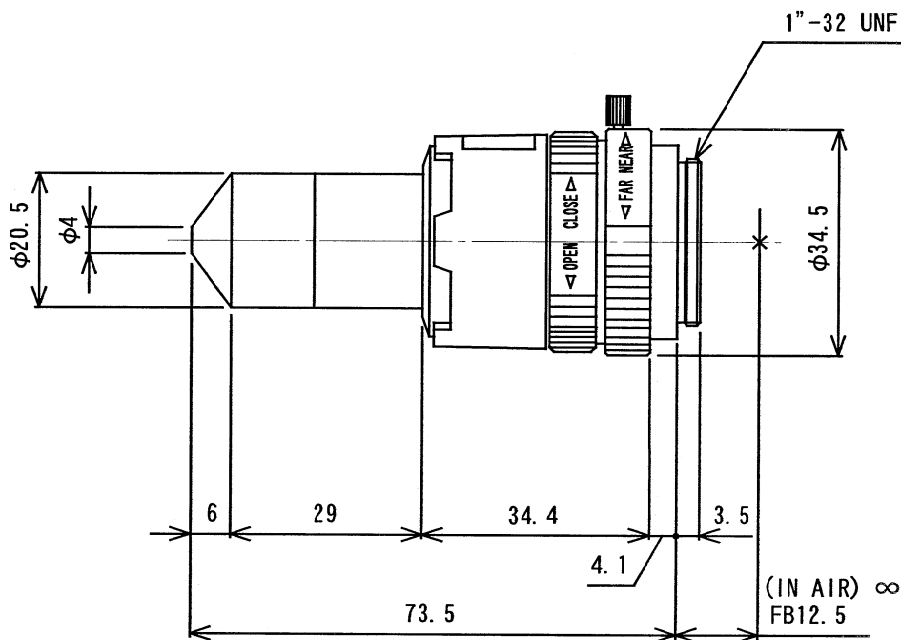
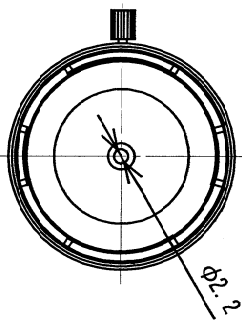
Model No.	T2625CS-P		Effective	Front	φ 4.8mm
Focal Length	2.6mm		Lens Aperture	Rear	φ 11.5mm
Max. Aperture Ratio	1 : 2.5		Back Focal Length	14.09mm	
Max. Image Format	4.8 x 3.6mm (φ 6mm)		Flange Back Length	12.5mm	
Operation Range	Iris	F2.5 ~ 32C	Mount	CS-Mount	
	Focus	0.2m ~ Inf.	Filter Size	-	
Object Dimension at M.O.D.	35.5 x 26.7cm		Dimensions	φ 34.5 x 73.5mm	
			Weight	80g	
Angle of View	D	96.0°	1/4"	79.5°	
	H	83.2°		67.5°	
	V	67.5°		53.2°	
Operating Temperature	-20°C ~ +50°C				

1/3

CS

M.O.D. : Minimum Object Distance

Dimensions



F

SP