

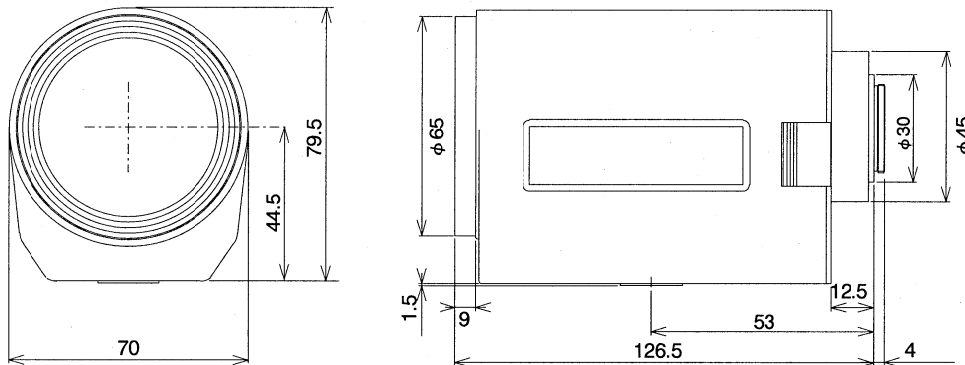
T21Z5816MS-CS

21X 5.8~121.8mm F1.6
for 1/3" format cameras
CS-Mount

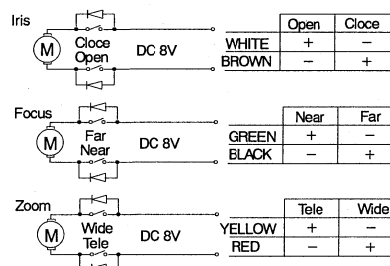
Model No.	T21Z5816MS-CS		Effective Front	φ 53.2 mm
Focal Length	5.8~121.8 mm		Lens Aperture Rear	φ 10.6 mm
Max. Aperture Ratio	1:1.6		Back Focal Length	13.6 mm
Max. Image Format	4.8X3.6 mm (φ 6 mm)		Flange Back Length	12.5 mm
Operation	Iris	Motorized, F1.6~560C	Mount	CS-Mount
	Focus	Motorized, 1.5m~Inf.	Filter Size	M62×0.75 mm
	Zoom	Motorized, 5.8~121.8mm	Tripod Screw	1/4"-20UNC
Object Dimension at M.O.D.	5.8 mm	123.7×91.1 cm	Dimensions	W70×H81×D126.5 mm
	121.8mm	6.0 × 4.7 cm	Weight	665 g
Angle of View	D	55.5° ~2.9°		
	H	44.8° ~2.3°		
	V	33.8° ~1.8°		
Control	Iris		Focus	
	Supply Voltage	DC 8 V	DC 8 V	DC 8 V
	Current	20 mA or less	40 mA or less	40 mA or less
	Transit Time	Approx. 4 sec.	Approx. 5 sec.	Approx. 4.5 sec.
Operating Temperature	-10° C ~ +50° C			

M.O.D. : Minimum Object Distance

Dimensions



Wiring Diagram



Remarks: Connect together with Brown (Iris), Black (Focus) and Red (Zoom) for common system when necessary.