

## T21Z5816M-CS

21X 5.8~121.8mm F1.6

for 1/3" format cameras

CS-Mount

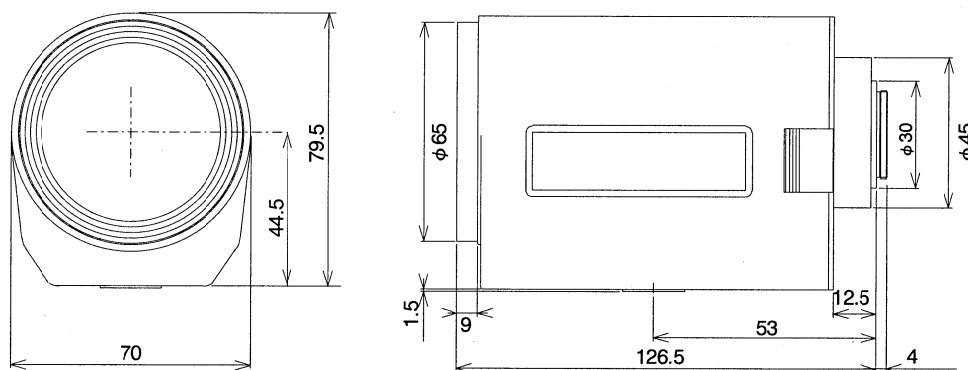
<b>Model No.</b>	T21Z5816M-CS		<b>Effective Front</b>	φ53.2 mm
<b>Focal Length</b>	5.8~121.8 mm		<b>Lens Aperture Rear</b>	φ10.6 mm
<b>Max. Aperture Ratio</b>	1:1.6		<b>Back Focal Length</b>	13.6 mm
<b>Max. Image Format</b>	4.8X3.6 mm (φ6 mm)		<b>Flange Back Length</b>	12.5 mm
<b>Operation</b>	<b>Iris</b>	Motorized, F1.6~22C	<b>Mount</b>	CS-Mount
	<b>Focus</b>	Motorized, 1.5m~Inf.	<b>Filter Size</b>	M62×0.75 mm
	<b>Zoom</b>	Motorized, 5.8~121.8mm	<b>Tripod Screw</b>	1/4"-20UNC
<b>Object Dimension at M.O.D.</b>	<b>5.8 mm</b>	123.7×91.1 cm	<b>Dimensions</b>	W70×H81×D126.5 mm
	<b>121.8mm</b>	6.0 × 4.7 cm		
<b>Angle of View</b>	<b>D</b>	55.5° ~2.9°		
	<b>H</b>	1/3" 44.8° ~2.3°		
	<b>V</b>	33.8° ~1.8°		
<b>Control</b>	<b>Iris</b>		<b>Focus</b>	
	<b>Supply Voltage</b>	DC 8 V	DC 8 V	DC 8 V
	<b>Current</b>	20 mA or less	40 mA or less	40 mA or less
	<b>Transit Time</b>	Approx. 4 sec.	Approx. 5 sec.	Approx. 4.5 sec.
<b>Operating Temperature</b>	-10° C~+50° C			

1/3

CS

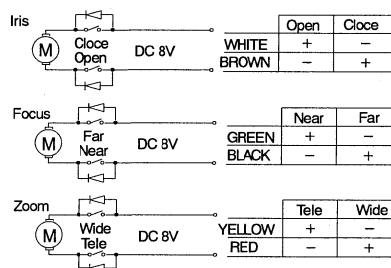
M.O.D. : Minimum Object Distance

### Dimensions



ZM

### Wiring Diagram



Remarks: Connect together with Brown (Iris), Black (Focus) and Red (Zoom) for common system when necessary.