

## SL1250 Telephoto 4K Resolution Day/Night lenses for 1/1.7" sensors

- ✓ **Ultra high resolution for 4K cameras**, up to 12.4 megapixel
- ✓ Available in DC **autoiris**, **P-iris**, and **manual iris** versions
- ✓ **Non-motorized version**; Fully motorized versions, or combinations with zoom, focus, iris, IR cut, and limit switch also available
- ✓ IR corrected for true **Day/Night** cameras
- ✓ **Compact design** to fit into domes as small as 4" mini-dome size
- ✓ **CS-mount** and smooth **D25 board mount** options
- ✓ Used for sensor sizes 1/2.5", 1/2.3", 1/2", 1/1.8", and **up to 1/1.7"** (Sony IMX178, Sony IMX226 for example)

### SL1250 lens family specifications

Focal length	12-50mm
Image circle	Up to Ø9.4mm
Resolution	12.4 megapixel
F/#	F/1.8 @ 12mm - F/2.4 @ 50mm to close
IR Correction	Day/Night
Focus Range	2.5m - infinity
Lens length	< 64mm TTL
Weight	TBD
Temperature range	-20°C to 50°C (-20C - 60C storage)

### Field of view for sensor sizes

Sensor size	1/1.7"	1/1.8"	1/1.8" 4K*	1/2"	1/2.3"	1/2.5"
Horizontal	36° - 8.6°	36° - 8.6°	35° - 8.5°	30° - 7.4°	30° - 7.2°	27° - 6.7°
Vertical	26° - 6.5°	23° - 5.8°	17° - 4.3°	23° - 5.6°	22° - 5.5°	20° - 5.0°
Diagonal	46° - 11°	44° - 10°	40° - 9.5°	39° - 9.2°	38° - 9°	34° - 8.3°

\*4K format = 4000 x 2000 pixels

## Lens designation

**xx1250x xx -xx**

CS: CS mount  
D25: smooth Ø25mm mount

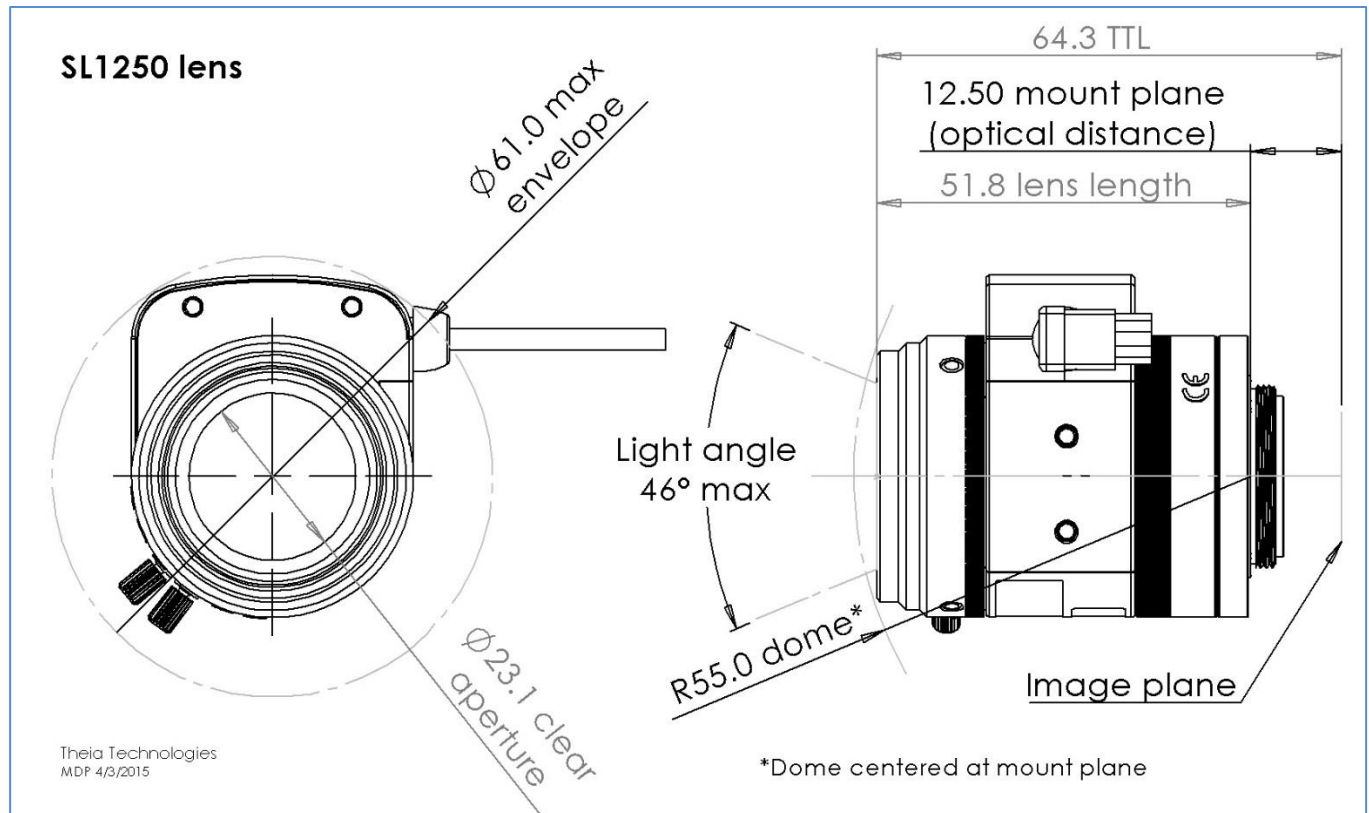
TL: motorized  
SL: non-motorized

A: autoiris  
P: P-iris  
M: manual iris

R3: motorized zoom, focus, iris  
R4: motorized zoom, focus, iris, IRC  
R5: motorized zoom, focus, iris, with limit switch for zoom, focus limits  
R6: motorized zoom, focus, iris, IRC, with limit switch for zoom, focus limits

**Production versions:**  
 SL1250M (manual lens, manual iris, CS mount)  
 SL1250A (manual lens, DC autoiris, CS mount)  
 SL1250P (manual lens, P-iris, CS mount)  
 TL1250AR4-CS (fully motorized, DC autoiris lens)  
 TL1250PR4-CS (fully motorized, P-iris lens)

Other versions are available by special request and may be added to regular production



For more information contact

**Theia Technologies**  
 info@TheiaTech.com  
[www.TheiaTech.com](http://www.TheiaTech.com)  
 +1-503-570-3296