

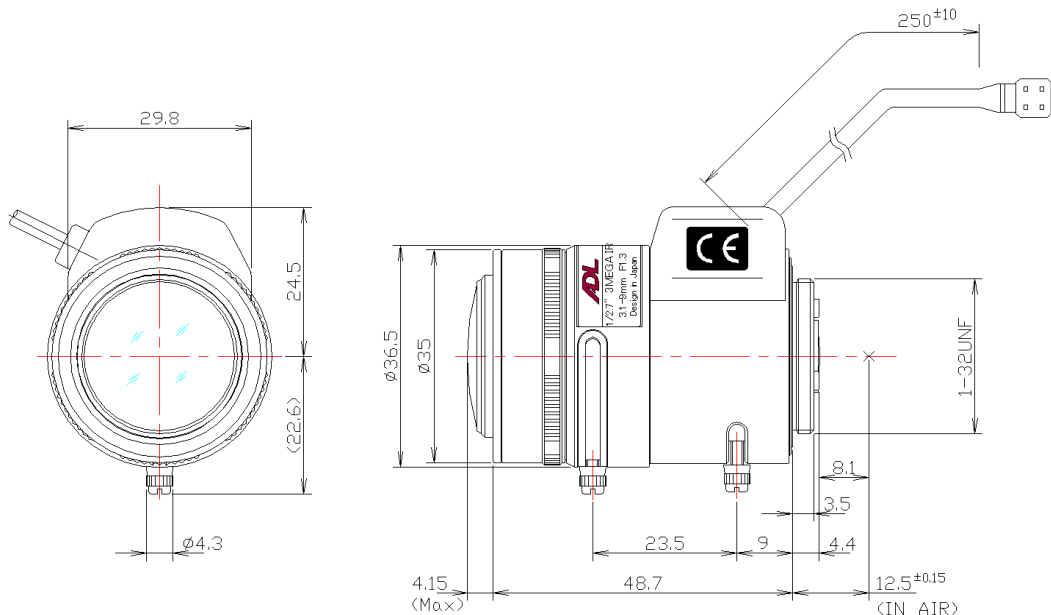
3 Mega Pixel

MSV3X3113D



| | | | | | | |
|--------------------------|------------------|--------------------|---------------|-------------------|----------|--|
| Type | AI VARI | | Mount | CS | | |
| Focal Length | 3.1~9.0mm | | Back Focus | 8.317~15.491mm | | |
| Fno. | F1.3 | | Mechanical Bf | 8.1mm | | |
| Designed Image Format | 1/2.7" (φ 6.6mm) | | Exit Pupil | -281.9 ~ -30.15mm | | |
| Operation Range | Iris | F1.3-F360 | Filter Size | - | | |
| | Focus | 0.5m~∞ | Aperture | Front | φ 23.3mm | |
| | Zoom | 3.1~9.0mm | | Rear | φ 8.2mm | |
| Control | Iris | DC Galvanometer | Dimension | φ 36.5 x 48.7mm | | |
| | Focus | Manual Control | | Weight | 55.5g | |
| | Zoom | Manual Control | | | | |
| | ICR | - | | | | |
| Object Size at MOD | Wide | 4:3 759.0x1206.2mm | 16:9 | 583.4x1445.4mm | | |
| | Tele | 244.5x330.4mm | | 199.0x362.6mm | | |
| Field of View | D | 127.7° ~ 43.5° | 16:9 | 127.7° ~ 43.5° | | |
| | H | 4:3 99.4° ~ 34.8° | | 109.3° ~ 38.0° | | |
| | V | 73.1° ~ 26.1° | | 59.4° ~ 21.4° | | |
| Control | Iris | Focus | Zoom | - | | |
| Driving Coil/Supply Volt | 190 Ω | - | - | - | | |
| Damping Coil/Current | 855 Ω | - | - | - | | |
| Response Time | - | - | - | - | | |
| Potentiometer | - | - | - | - | | |
| Light Measuring Method | - | | | | | |
| Input Signal | - | | | | | |
| Iris Accuracy | - | | | | | |
| Sensitivity Adjustment | - | | | | | |
| Operating Temperature | -10 ~ +50 °C | | | | | |

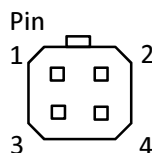
DIMENSIONS



Wiring Diagram

4 Pin Standard Connector for Auto Iris

| | |
|-----------|-------------|
| Pin No. 1 | Damping (-) |
| Pin No. 2 | Damping (+) |
| Pin No. 3 | Driving (+) |
| Pin No. 4 | Driving (-) |



Subject to change without notice