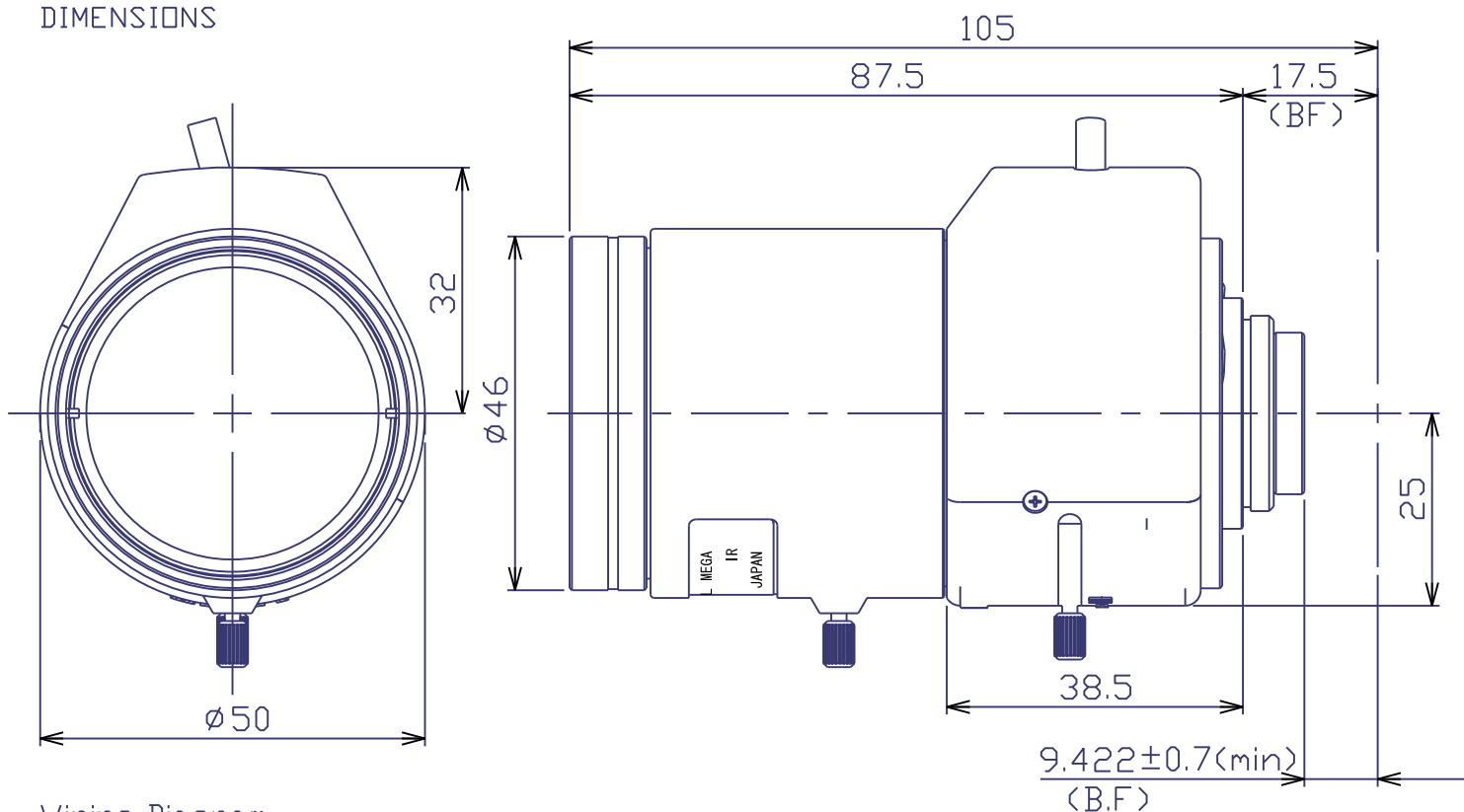


MHV5X1020D

Type	AI VARI		Mount	C		
Focal Length	10.0~50.0mm		Back Focus	9.422~11.608mm		
Fno.	F2.0		Mechanical Bf	8.546mm		
Designed Image Format	1/1.8"(6.9x5.2mm)		Exit Pupil	-		
Operation Range	Iris	F2.0~F360	Filter Size	-		
	Focus	0.3m~∞	Aperture	Front	∅ 37.9	
	Zoom	10.0~50.0mm		Rear	∅ 13.9	
Control	Iris	DC Galvanometer	Dimention	50x57x87.5mm		
	Focus	Manual		Weight	240g	
	Zoom	Manual				
Object Size at MDD	Wide	-				
	Tele	-				
Field of View	D	50.99°~10.60°	1/3"	33.66°~7.08°		
	H	40.53°~8.47°		26.82°~5.67°		
	V	30.20°~6.37°		20.08°~4.25°		
Control	Iris		Focus	Zoom		
Driving Coil/Supply Volt.	190Ω		-	-		
Damping Coil/Current	456Ω		-	-		
Response Time	-		-	-		
Potentiometer	-		-	-		
Light Measuring Method	-		-	-		
Input Signal	-		-	-		
Iris Accuracy	-		-	-		
Sensitivity Adjustment	-		-	-		
Operating Temperature	-5℃~+50℃		-	-		

DIMENSIONS



Wiring Diagram

1) 4 Pin Standard Connector for Auto Iris

Pin No.1	Damping (-)
2	Damping (+)
3	Driving (+)
4	Driving (-)

