

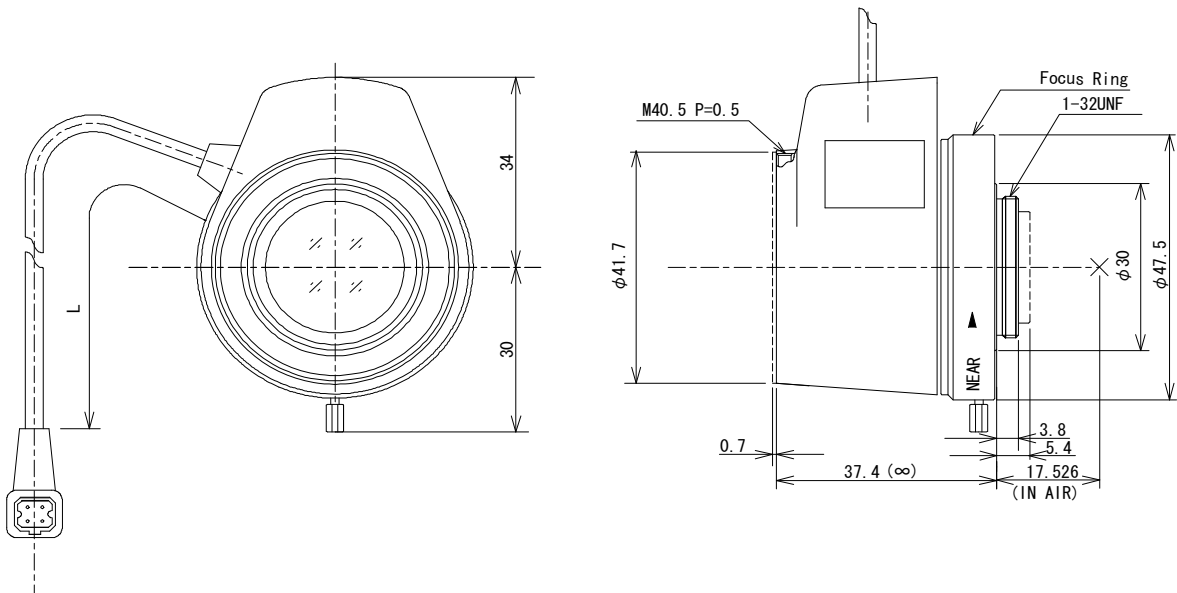
# MG2514KC-MP

f=25mm F1.4

for 2/3 type 5 Megapixel Cameras, Fixed-focal, Stepping Motor Iris  
C-Mount

Model No.		MG2514KC-MP		Effective	Front	$\phi$ 23.4mm	
Focal Length		25mm		Lens Aperture	Rear	$\phi$ 14.6mm	
Max. Aperture Ratio		1:1.4		Back Focal Length		13.3mm	
Max. Image Format		6.6mm x 8.8mm( $\phi$ 11mm)		Flange Back Length		17.526mm	
Operation Range	Iris	F1.4 - F16C		Mount		C-Mount	
	Focus	1.5m - Inf.		Filter Size		M40.5 x 0.5	
	Zoom	-		Dimensions		$\phi$ 41.7mm x 57.8mm x 37.4mm	
Control	Iris	Stepping Motor		Weight		100 g	
	Focus	Manual					
	Zoom	-					
Angle of View	D	2/3 type	24.9°	1/2 type	18.2°	1/3 type	13.7°
	H		20.0°		14.6°		11.0°
	V		15.1°		11.0°		8.2°
Operating Temperature		-10°C - +50°C					

## Dimensions



## Wiring Diagram

