

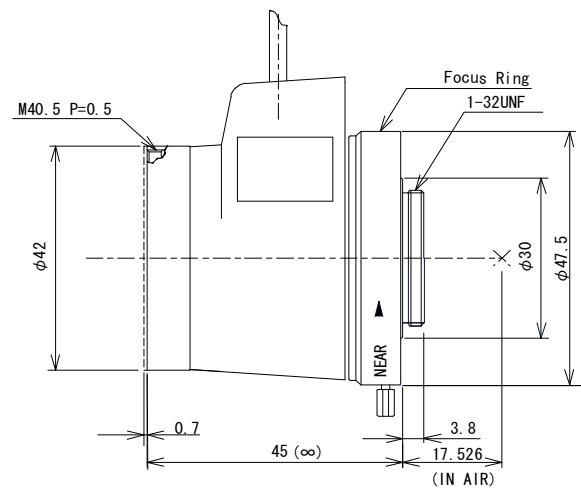
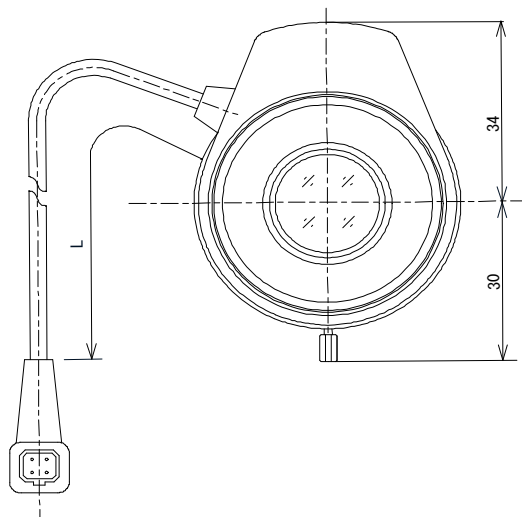
MG0918FC-MP

f=9mm F1.8

**for 2/3 type 5 Megapixel Cameras, Fixed-focal, Auto Iris, DC Drive
C-Mount**

| | | | | | | | |
|-----------------------|-----------------------------|---------------|--------------------|----------|---|----------|-------|
| Model No. | MG0918FC-MP | | Effective | Front | ϕ 20.1mm | | |
| Focal Length | 9mm | | Lens Aperture | Rear | ϕ 12.4mm | | |
| Max. Aperture Ratio | 1:1.8 | | Back Focal Length | | 14.8mm | | |
| Max. Image Format | 6.6mm x 8.8mm(ϕ 11mm) | | Flange Back Length | | 17.526mm | | |
| Operation Range | Iris | F1.8 - F360C | Mount | | C-Mount | | |
| | Focus | 1m - Inf. | Filter Size | | M40.5 \times 0.5 | | |
| | Zoom | - | Dimensions | | ϕ 42mm \times 57.8mm \times 45mm | | |
| Control | Iris | DC Auto Iris | Weight | | 107 g | | |
| | Focus | Manual | | | | | |
| | Zoom | - | | | | | |
| Angle of View | D | 2/3 type | 63.4° | 1/2 type | 47.8° | 1/3 type | 36.4° |
| | H | | 52.1° | | 38.7° | | 29.3° |
| | V | | 39.9° | | 29.3° | | 22.1° |
| Coil | Drive | 190 Ω | | | | | |
| | Control | 1000 Ω | | | | | |
| Operating Temperature | -10°C - +50°C | | | | | | |

Dimensions



Wiring Diagram

