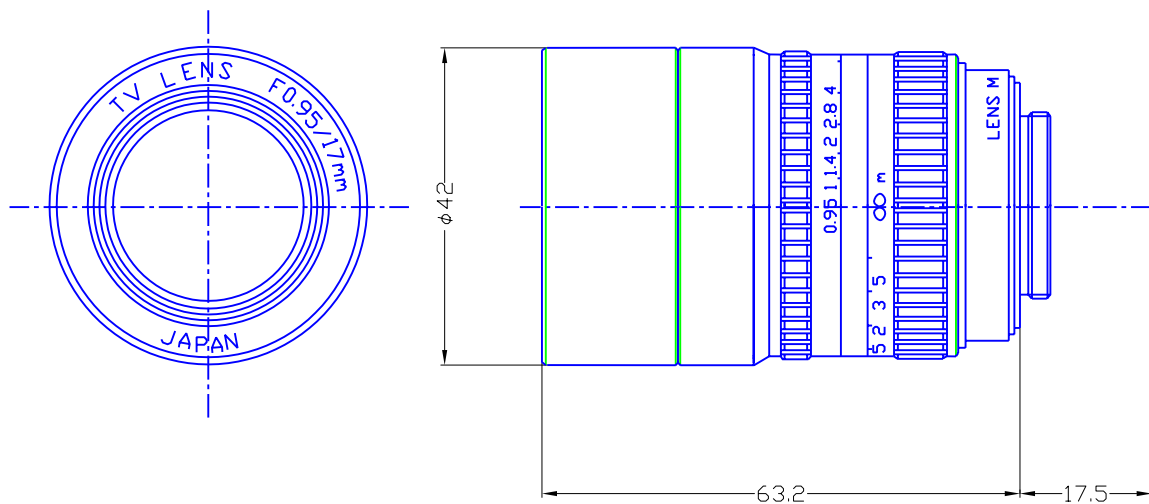


Type	MANUAL MONO		Mount	C				
Focal Length	17.0mm		Back Focus	13.89mm				
Fno.	F0.95		Mechanical Bf	13.5mm				
Designed Image Format	2/3"(6.6x8.8mm)		Exit Pupil	-52.56mm				
Operation Range	Iris	F0.95-16	Filter Size	M40.5 P=0.5				
	Focus	0.5m ~ infinity	Aperture	Front	∅27.0mm			
	Zoom	-		Rear	∅17.5mm			
Control	Iris	Manual	Front Nodal Point	38.65mm				
	Focus	Manual	Second Nodal Point	-3.24mm				
	Zoom	-	FNP SNP Distance	13.89mm				
Object Size at MOD	2/3"	250mm x 187mm	Optical over all length	59.79mm				
	1/2"	182mm x 136mm	Entrance Pupil Position	26.31mm				
	1/3"	136mm x 102mm	Dimension	∅42x63.2mm				
	1/4"	102mm x 77mm	Weight	165g				
Magnification at Minimum Object Distance			-0.038					
Field of View	D	35.9°	1/2"	26.5°	1/3"	20.0°	1/4"	15.1°
	H	29.0°		21.3°		16.1°		12.1°
	V	22.0°		16.1°		12.1°		9.1°
Operating Temperature	-10 ~ +50 Celsius							

2/3"

C

DIMENSIONS



CM