



HDTV 3CCD/CMOS Zoom Lens for Short Distances

HD PROMINAR

LMZ856-HD3

- +High-performance Zoom Lens suitable for High Definition TV(1920x1080) 3CCD/CMOS cameras
- +Short distance optical-design perfect for indoor monitoring
- +Compact / Light weight design

The high-performance short distance HDTV 3CCD/CMOS Zoom Lens most suitable for indoor monitoring.



※The photograph is an image.

CHARACTERISTICS

+HDTV image(1920x1080) resolution

The NEW HD PROMINAR Lens designed achieves high definition and less chromatic aberrations.

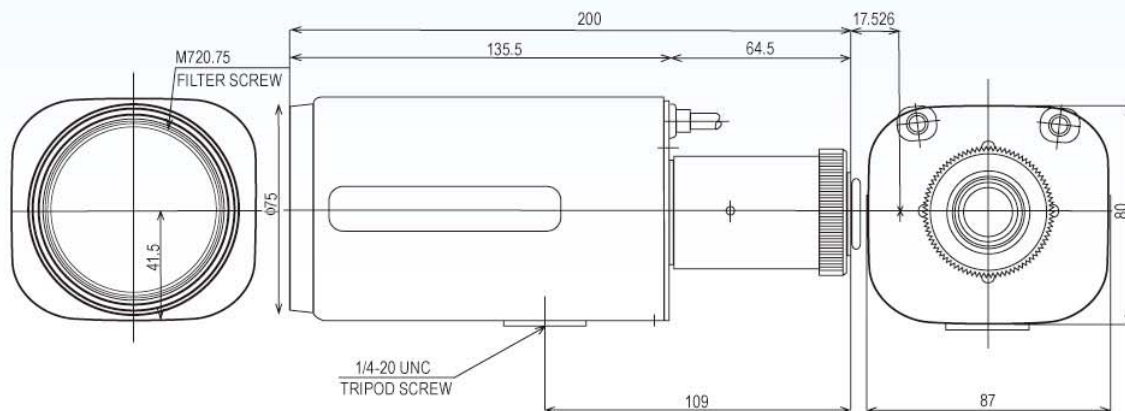
+Short distance and 3CCD/CMOS optical design

This 7x 3CCD/CMOS Zoom Lens can focus on short distances and will maintain high performance across the whole zoom range. In addition, the design keeps distortion at a minimum.

+C-mount adoption

This lens adopts C-mount for versatility.

DIMENSIONS



SPECIFICATIONS

Model No.	Use	Focal Length	Zoom ratio	Relative Aperture(F)	Horizontal Angle	
LMZ856-HD3	½" 3CCD/CMOS Cameras	8-56mm	7x	1:2.0-16	Wide:48.0°x27.2° Tele:3.2°x1.6°	
Field of view (at M.O.D)	Focus range	Operation	Filter size	Size(W×H×L)	Mount	Weight
Wide 500x281mm	0.7-3.0m	Iris : Motorized	M72x0.75mm	87.0x80.0 x200.5mm	C-mount	Approx. 1kg
Tele 80x45mm		Zoom : Motorized				
		Focus : Motorized				



Kowa Company, Ltd.

Electronics & Optics Division

4-14, Nihonbashi-Honcho 3-chome,
Chuo-ku, Tokyo 103-8433, Japan
Phone : +81-(3) 5623-8061
Facsimile : +81-(3) 5623-8060
opt-cctv@kowa.co.jp
http://www.kowa.co.jp

Kowa Europe GmbH

Immermannstrasse 43B
40210 Duesseldorf F.R. Germany
Phone : +49-(211) 17 93 54 0
Facsimile : +49-(211) 16 19 52

Kowa Optimed, Inc.

20001 S. Vermont Ave.
Torrance, CA 90502, USA
Phone : +1-(310) 327-1913
Facsimile : +1-(310) 327-4177
kowa-usa-info@kowa.com
http://www.kowa-usa.com

