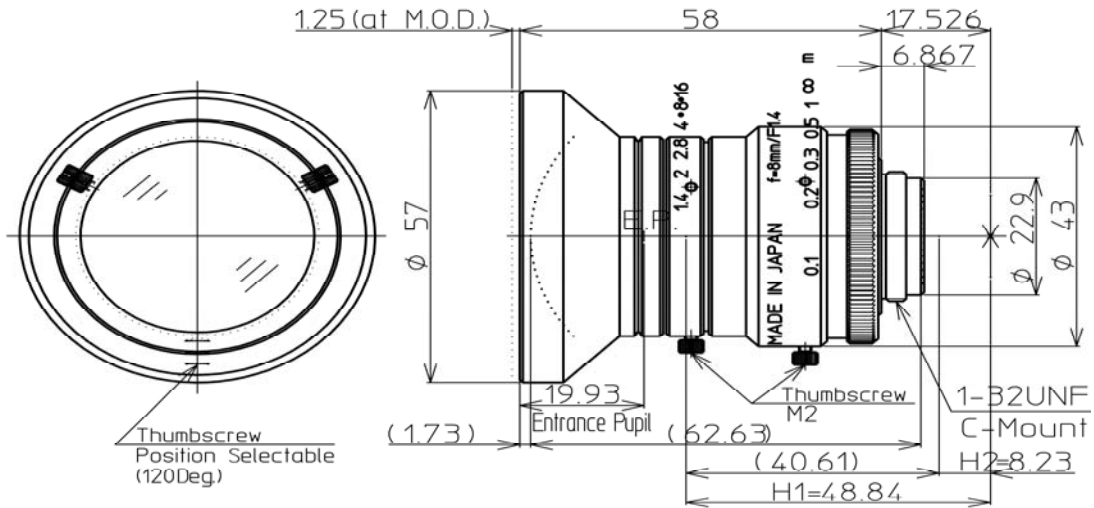




LM8HC



Model	LM8HC	
Focal Length (mm)	8	
Image Size (mm)	1" (Ø16)	
Iris Range (F-Stop)	F1.4~F16	
Iris Control	Manual	
Focus Control	Manual	
Focusing Range (m)	0.1~∞	
Back Focal Length (mm)	11.2 in Air	
Flange Back (mm)	17.526	
Angle of	1"	79.7 x 63.0 x 92.4
View in Degrees	2/3"	58.3 x 44.7 x 70.7
(Hor. x Ver. X Dia.)	1/2"	43.4 x 32.9 x 53.5
Front/Rear Effective Dia. (mm)	Front: Ø37.4 Rear: Ø17.5	
Locking Screws	Focus, Iris	
Resolution (Center, Corner)	120 lp/mm, 80 lp/mm	
TV Distortion (%)	1"	-1.2
	2/3"	-1.6
	1/2"	-1.0
Exit Pupil (mm)	-45.9	
Filter Thread (mm)	M55xP0.75	
Mount	C-Mount	
Weight (g)	200	
Temperature Range (°C)	-10~+50	