

HG3Z4512FCS-IR

3X 4.5mm - 12.5mm F1.2 Day & Night type
for 1/2 type Format Cameras, Vari - Focal, Auto Iris DC Drive
CS-Mount

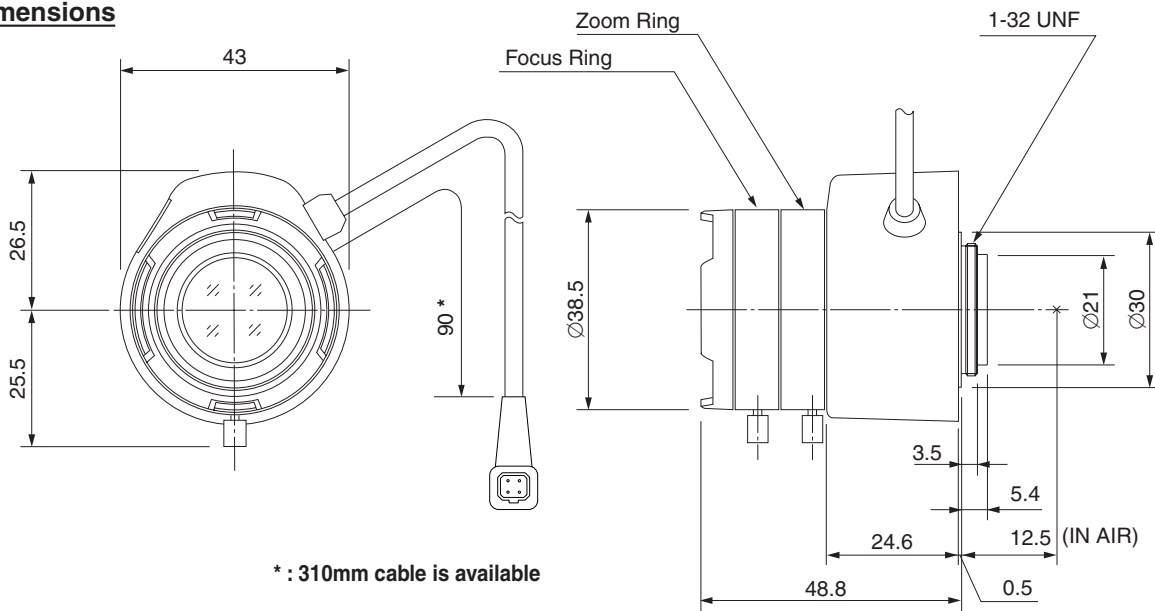
with Focus, w/o Amplifier

Model No.	HG3Z4512FCS-IR		Effective	Front	Ø19.9mm			
Focal Length	4.5mm - 12.5mm		Lens Aperture	Rear	Ø9.9mm			
Max. Aperture Ratio	1:1.2		Back Focal	Tele	16.5mm			
Max. Image Format	6.4mm x 4.8mm(Ø8mm)		Length	Wide	8.5mm			
Operation Range	Iris	F1.2 - F360		Flange Back Length	12.5mm			
	Focus	0.3m - Inf.		Mount	CS-Mount			
	Zoom	4.5mm - 12.5mm		Filter Size	M35.5 P=0.5mm			
Control	Iris	Auto Iris		Dimensions	Ø38.5mm x 47.5mm x 48.8mm			
	Focus	Manual		Weight	68g			
	Zoom	Manual						
Object Dimension at M.O.D.	4.5mm	53.7cm x 35.6cm						
	12.5mm	16.1cm x 12cm						
Angle of View	D	1/2 type	108.0° - 37.6°	1/3 type	77.9° - 28.3°	1/4 type	57.2° - 21.2°	
	H		83.7° - 30.1°				61.3° - 22.6°	45.3° - 17.0°
	V		61.3° - 22.6°				45.3° - 17.0°	33.7° - 12.7°
Coil	Drive	190 ohm						
	Control	850 ohm						
Operating Temperature	-20°C - +50°C							

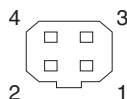
Operates in both visible and infrared light

M.O.D : Minimum Object Distance

Dimensions



Wiring Diagram



Pin No.

1	BROWN	Control (-)
2	RED	Control (+)
3	YELLOW	Drive (+)
4	ORANGE	Drive (-)

1/2 type

CS

AG

Z

SP