

HG3Z1014FCS

VARI FOCAL 3X 10mm - 30mm F1.4

for 1/2" Format Cameras,

CS-Mount

with Focus, with Amplifier

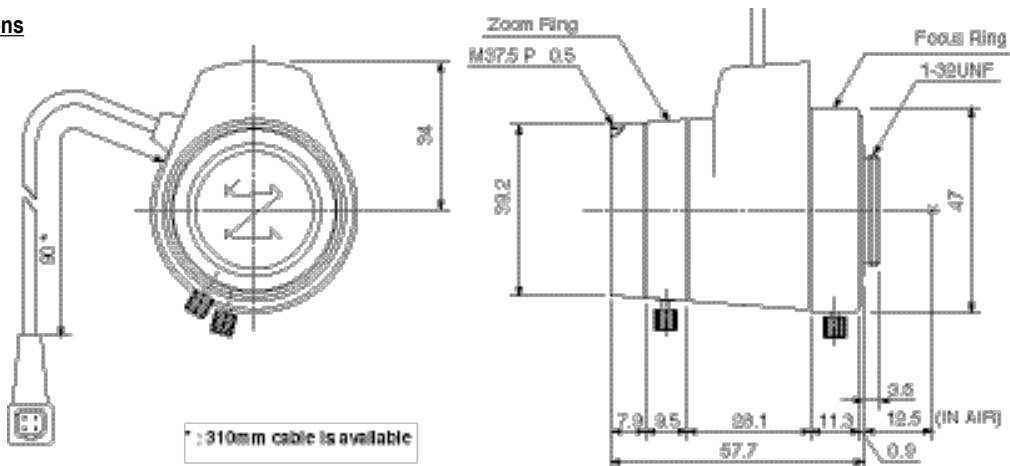
Model No.	HG3Z1014FCS		Effective	Front	22.6mm Dia
Focal Length	10mm - 30mm		Lens Aperture	Rear	9.0mm Dia
Max. Aperture Ratio	1 : 1.4		Back Focal	Tele	9.8mm
Max. Image Format	6.4 x 4.8mm (8mm)		Length	Wide	11mm
Operation Range	Iris	F1.4 - F360C	Flange Back Length		12.5mm
	Focus	0.6m ~ Inf.	Mount		CS-Mount
	Zoom	10~ 30mm	Filter Size		M37.5 P=0.5mm
Control	Iris	Auto Iris	Dimensions		41.7 x 57.5 x 57.7mm Dia
	Focus	Manual	Weight		130 g
	Zoom	Manual			
Object Dimension at M.O.D.	2.8 mm	38.8cm x 28.6cm			
	12 mm	13.1 _ 9.9cm			
Angle of View	D	44.8°~15.6°mm	35.6°~11.7°mm	25.1°~8.8°mm	
	H	1/2" 35.8°~12.5°mm	1/3" 26.8°~9.4°mm	1/4" 20.1°~7.0°mm	
	V	26.8°~9.5°mm	20.1°~7.1°mm	15.0°~5.3°mm	
Coil	Drive	190 ohm			
	Control	1000 ohm			
Operating Temperature	-20mmC ~ +50mmC				

1/3

CS

AG

Dimensions



Z

Wiring Diagram



Pin No.

1	BROWN	Control ()
2	RED	Control ()
3	YELLOW	Drive ()
4	ORANGE	Drive ()

SP

Subject to change without notice

Printed in Japan 02/04