

# HG3Z1014AFCS

VARI FOCAL 3X 10mm - 30mm F1.4

for 1/2" format cameras

CS-Mount

with Focus, with Amplifier

Model No.	HG3Z1014AFCS		Effective	Front	22.0mm Dia
Focal Length	10mm ~ 30mm		Lens Aperture	Rear	8.8mm Dia
Max. Aperture Ratio	1 : 1.4		Back Focal	Tele	20.2mm
Max. Image Format	6.4 x 4.8mm (8mm Dia)		Length	Wide	8.1mm
Operation Range	Iris	F1.4 ~ F360C	Flange Back Length		12.5mm
	Focus	0.6m ~ Inf.	Mount		CS-Mount
	Zoom	10mm~ 30mm	Filter Size		
Control	Iris	Auto Iris	Dimensions		37.5 x 48 x 56mm
	Focus	Manual	Weight		g
	Zoom	Manual			
Object Dimension at M.O.D.	2.8 mm	38.8cm x 28.6cm			
	12 mm	13.1cm x 9.9cm			
Angle of View	D	44.8°~15.6°mm	1/3"	35.6°~11.7°mm	25.1°~8.8°mm
	H	35.8°~12.5°mm	1/4"	26.8°~9.4°mm	20.1°~5.3°mm
	V	26.8°~9.4°mm		20.1°~7.1°mm	15.0°~5.3°mm
Supply Voltage	DC8.5 ~ 16V				
Current	Less than 40mA				
Response Time	Approx. 2 sec.				
Light Weighting Method	Adjustable between Average - Peak ( to be set at Average at factory )				
Input Signal	Video Signal (V orVS)				
Iris Accuracy	± 15% at Video Signal Level				
Sensitivity Adjustment	0.5 ~ 1.0Vp-p (Video Signal)				
Input Impedance	High Impedance				
Operating Temperature	-20 ~ +50mmC				

1/3

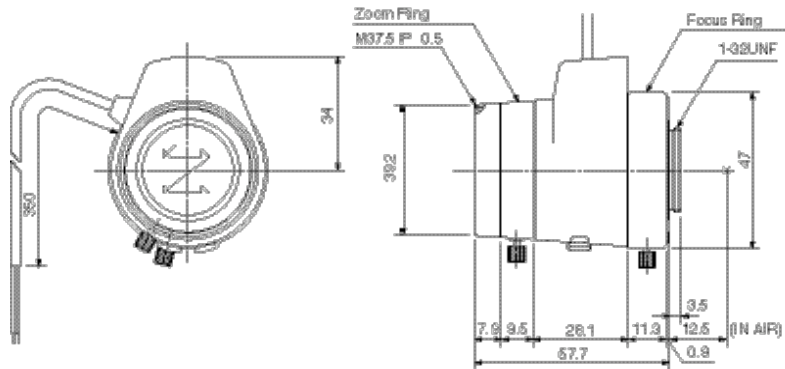
CS

AG

Z

SP

Dimensions



Wiring Diagram



Subject to change without notice

Printed in Japan 02/04