

HG1214AFCS-3

12.0mm F1.4
for 1/2" format cameras
CS-Mount

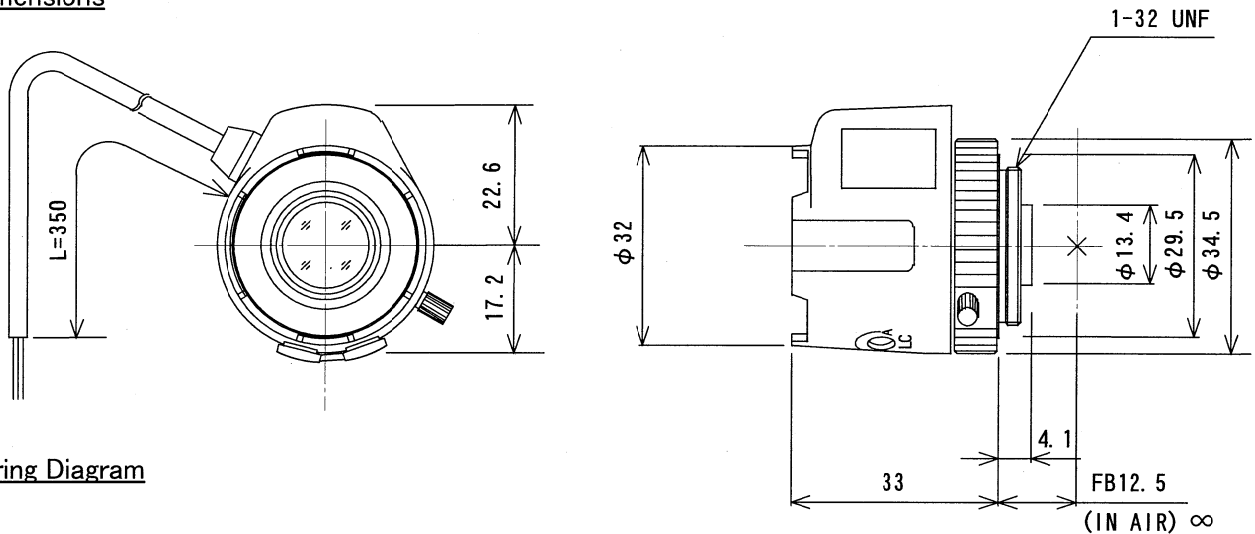
with Focus & Amplifier

Model No.	HG1214AFCS-3		Effective	Front	φ 13.0 mm
Focal Length	12.0mm		Lens Aperture	Rear	φ 8.8mm
Max. Aperture Ratio	1 : 1.4		Back Focal Length	8.6 mm	
Max. Image Format	6.4 x 4.8mm (φ 8mm)		Flange Back Length	12.5 mm	
Operation Range	Iris	F1.4 ~ 360	Mount	CS-Mount	
	Focus	0.3m ~ Inf.	Filter Size	M30.0 P=0.5	
Control	Iris	Auto Iris (by galvanometer)	Dimensions	φ 32.0 × 39.8 × 33.0 mm	
	Focus	Manual	Weight	39g	
Object Dimension at M.O.D.	16.3 x 12.0cm				
Angle of View	D		38.3°		
	H	1/2"	30.4°		
	V		22.7°		
Supply Voltage	DC8 ~ 16V				
Current	Less than 35mA				
Response Time	Approx. 2 sec.				
Light Weighting Method	Adjustable between Average - Peak (to be set at Average at factory)				
Input Signal	Video Signal (V or VS)				
Iris Accuracy	± 15% at Video Signal Level				
Sensitivity Adjustment	0.5 ~ 1.0Vp-p (Video Signal)				
Input Impedance	High Impedance				
Operating Temperature	-20 ~ +50°C				

1/2
CS
AG

M.O.D. : Minimum Object Distance

Dimensions



Wiring Diagram

