

H16Z7516AMSP

16X7.5~120 mm F1.6

for 1/2" format cameras

with Preset

C-Mount

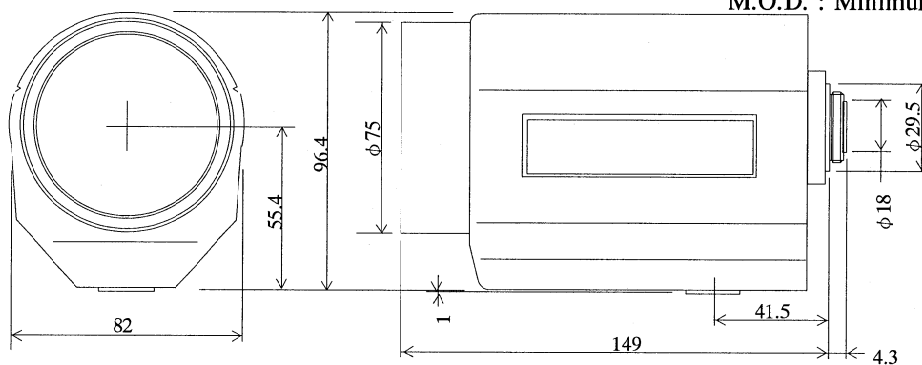
Model No.	H16Z7516AMSP		Effective	Front	φ66.4 mm	
Focal Length	7.5~120 mm		Lens Aperture	Rear	φ13.5 mm	
Max. Aperture Ratio	1:1.6		Back Focal Length	14.00 mm		
Max. Image Format	6.4×4.8 mm (φ8 mm)		Flange Back Length	17.526 mm		
Operation	Iris	Auto Iris, F1.6~560 (by galvano control)	Mount	C-Mount		
	Focus	Motorized, Preset, 1.5m~Inf.	Filter Size	M72 P=0.75 mm		
	Zoom	Motorized, Preset, 7.5~120 mm	Tripod Screw	1/4"-20UNC		
Object Dimension	7.5 mm	129.2×95.5 cm	Weight	1080 g		
	at M.O.D.	120mm		8.4 × 6.3 cm		
Angle of View	D	57.2° ~ 3.9°		43.8° ~ 3.0°		
	H	1/2" 46.6° ~ 3.2°		1/3"	35.3° ~ 2.4°	
	V	35.3° ~ 2.4°			26.6° ~ 1.8°	
Control	Iris		Focus		Zoom	
	Supply Voltage	DC 8.5~16 V	DC 8 V		DC 8 V	
	Current	40 mA or less	45 mA or less		35 mA or less	
	Transit Time	Approx. 2 sec.	Approx. 3.5 sec.		Approx. 3.5 sec.	
Preset Potentiometer	-		5KΩ VR		5KΩ VR	
Light Weighting Method	Adjustable between Average - Peak (to be set at Average at factory)					
Remote Control	Level Remote					
Input Signal	Video Signal (V or VS)					
Iris Accuracy	± 15% at Video Signal Level					
Sensitivity Adjustment	0.5~1.0Vp-p (Video Signal)					
Input Impedance	High Impedance					
Operating Temperature	-10° C ~ +50° C					

1/2

C

M.O.D. : Minimum Object Distance

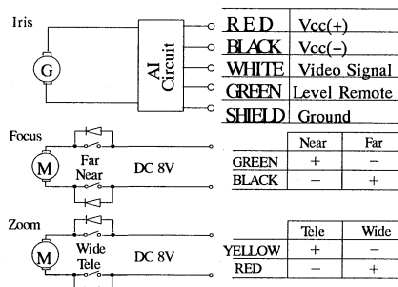
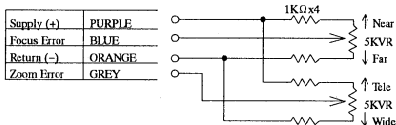
Dimensions



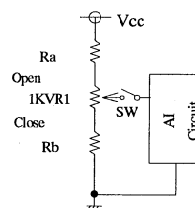
ZA

Wiring Diagram

PRESET POTENTIOMETER



Level Remote (As Option)



Remarks: Connect together with Black (Focus) and Red (Zoom) for common system when necessary.