

H10Z1218MSP

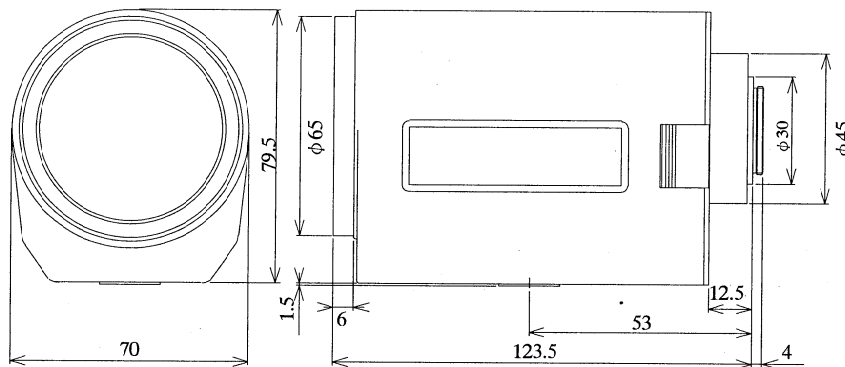
10X 12~120 mm F1.8
for 1/2" format camera
C-Mount

with Preset

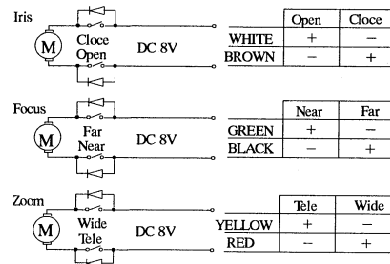
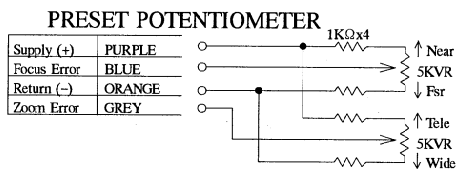
Model No.	H10Z1218MSP		Effective	Front	φ54.0 mm
Focal Length	12~120 mm		Lens Aperture	Rear	φ 9.2 mm
Max. Aperture Ratio	1:1.8		Back Focal Length	14.4 mm	
Max. Image Format	6.4×4.8 mm (φ 8 mm)		Flange Back Length	17.526 mm	
Operation	Iris	Motorized, F1.8~560C	Mount	C-Mount	
	Focus	Motorized, Preset, 1.5 m~Inf.	Filter Size	M62×0.75 mm	
	Zoom	Motorized, Preset, 12~120 mm	Tripod Screw	1/4"-20UNC	
Object Dimension	12 mm	78.7×58.9 cm	Dimensions	W70×H79.5×D123.5 mm	
at M.O.D.	120mm	8.1× 6.0 cm	Weight	670 g	
Angle of View	D	36.4° ~ 3.8°			
	H	29.4° ~ 3.1°			
	V	22.2° ~ 2.3°			
Control	Iris		Focus		Zoom
Supply Voltage	DC 8 V		DC 8 V		DC 8 V
Current	20 mA or less		50 mA or less		45 mA or less
Transit Time	Approx. 4 sec.		Approx. 4 sec.		Approx. 4 sec.
Preset Potentiometer	-		5KVR		5KVR
Operating Temperature	-10° C ~ +50° C				

M.O.D. : Minimum Object Distance

Dimensions



Wiring Diagram



Remarks: Connect together with Brown (Iris), Black (Focus) and Red (Zoom) for common system when necessary.