

## H10Z1218MS

10X 12~120 mm F1.8  
for 1/2" format camera  
C-Mount

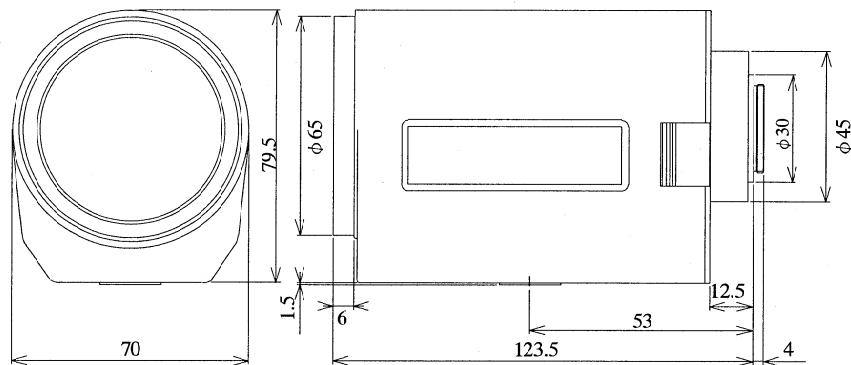
<b>Model No.</b>	H10Z1218MS		<b>Effective Front</b>	φ 54.0 mm	
<b>Focal Length</b>	12~120 mm		<b>Lens Aperture Rear</b>	φ 9.2 mm	
<b>Max. Aperture Ratio</b>	1:1.8		<b>Back Focal Length</b>	14.4 mm	
<b>Max. Image Format</b>	6.4×4.8 mm (φ 8 mm)		<b>Flange Back Length</b>	17.526 mm	
<b>Operation</b>	<b>Iris</b>	Motorized, F1.8~560C	<b>Mount</b>	C-Mount	
	<b>Focus</b>	Motorized, 1.5 m~Inf.	<b>Filter Size</b>	M62×0.75 mm	
	<b>Zoom</b>	Motorized, 12~120 mm	<b>Tripod Screw</b>	1/4"-20UNC	
<b>Object Dimension at M.O.D.</b>	12 mm	78.7×58.9 cm	<b>Dimensions</b>	W70×H79.5×D123.5 mm	
	120mm	8.1× 6.0 cm			<b>Weight</b>
<b>Angle of View</b>	D	1/2"			
	H				36.4° ~ 3.8°
	V				29.4° ~ 3.1°
<b>Control</b>	<b>Iris</b>		<b>Focus</b>		
	<b>Supply Voltage</b>	DC 8 V	DC 8 V	DC 8 V	
	<b>Current</b>	20 mA or less	40 mA or less	35 mA or less	
	<b>Transit Time</b>	Approx. 4 sec.	Approx. 4 sec.	Approx. 4 sec.	
<b>Operating Temperature</b>	-10° C ~ +50° C				

1/2

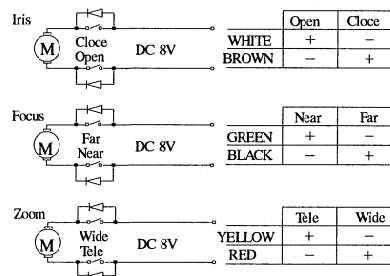
C

M.O.D. : Minimum Object Distance

### Dimensions



### Wiring Diagram



Remarks: Connect together with Brown (Iris), Black (Focus) and Red (Zoom) for common system when necessary.

ZM