

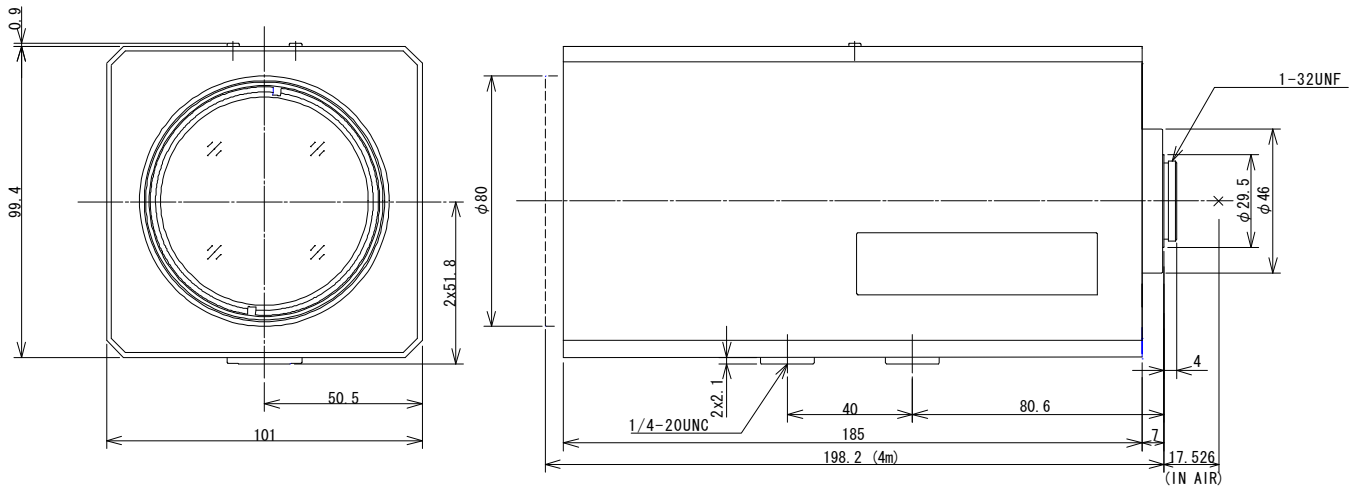
comptar

E24Z1018MS-MP

24X 10mm-240mm F1.8
for 1/1.8 type 3 Megapixel Cameras, Motorized Zoom
C-Mount

Model No.	E24Z1018MS-MP		Effective	Front	φ 66mm		
Focal Length	10mm - 240mm		Lens Aperture	Rear	φ 13mm		
Max. Aperture Ratio	1:1.8		Back Focal Length		14.1mm		
Max. Image Circle	φ 8.9mm		Flange Back Length		17.526mm		
Operation Range	Iris	F1.8 - F500C		Mount	C-Mount		
	Focus	4m - Inf.		Filter Size	M77 P=1mm		
	Zoom	10mm - 240mm		Tripod Screw	1/4 -20UNC		
Control	Iris	Motorized		Dimensions	W101mm x H102.4mm x D198.2mm		
	Focus	Motorized		Weight	2080g		
	Zoom	Motorized					
Angle of View	D	1/1.8 type (4:3)	48.5° - 2.2°	1/2 type (4:3)	43.7° - 1.9°	1/3 type (4:3)	33.0° - 1.5°
	H		39.0° - 1.7°		35.2° - 1.6°		26.5° - 1.2°
	V		29.5° - 1.3°		26.5° - 1.2°		20.0° - 0.9°
	Iris	Focus		Zoom			
Supply Voltage	DC6V		DC6V	DC6V			
Current	90mA or less		90mA or less	90mA or less			
Response Time	Approx. 4.5 sec.		Approx. 6.5 sec.	Approx. 6.5 sec.			
Operating Temperature	-10°C - +50°C						

Dimensions



Wiring Diagram

