

SPEC. INFO	H 6 Z B E C S P E C .	60832-S001-000C-B13
		JAN.09. ' 04

1. Model **H6ZBE**
2. Application **For 1/2 Format CCTV Camera**
3. Specification

3-1. Physical (As per the attached drawing)

- (1) Dimensions **69 mm(W) × 64 mm(H) × 95 mm(D)**
- (2) Weight **465 g**
- (3) Filter Screw Size **55 mm , P=0.75 mm**
- (4) Mount **C-Mount , Position Adjustable**

3-2. Optical

- (1) Focal Length **8mm to 48mm**
- (2) Max . Aperture Ratio **1 : 1.0 (f=8 to 28) to 1.2 (f=48)**
- (3) Iris Range **F/1.0 to F/720 (continuous)**
- (4) Illumination Ratio **1 : 520,000**
- (5) Angle of View

	WIDE	TELE
Diagonal	52.72 °	9.52 °
Horizontal	43.24 °	7.73 °
Vertical	32.98 °	5.86 °

- (6) Picture format **6.4 mm × 4.8 mm**
- (7) Focusing Range **Inf. to 1.2 m**
- (8) Back Focal Length **13.65 mm**
- (9) Flange Back Length **17.526 mm ± 0.05 mm**

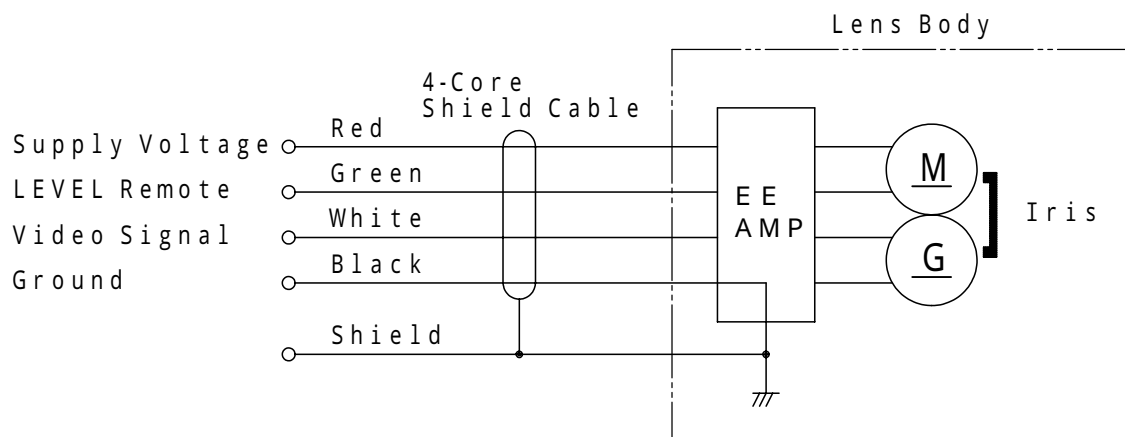
3-3. Mechanical

- (1 ) Focusing Mechanism **Rotational Helicoid**  
**Rotation Angle 81 °**  
**Rotation Torque 1.47 N· cm to 4.41 N· cm**
- (2) Zooming Mechanism **Rotation Angle 79.85 °**  
**Rotation Torque 1.47 N· cm to 4.41 N· cm**

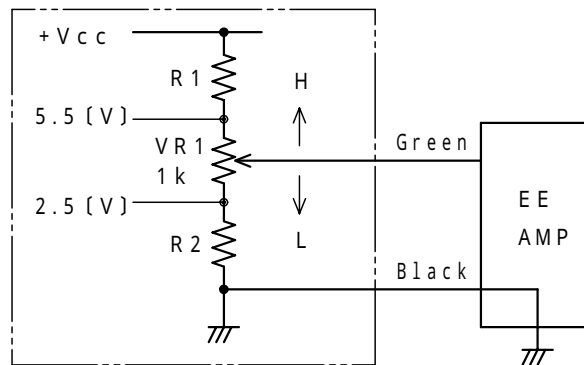
3-4. Electrical

(1) Auto Iris

Supply Voltage & Current	DC 8V to 15V 40mA or Less
Input Signal	V or VS
Iris Accuracy	± 20% at V Signal Level
Sensitivity Adjustment	0.5V(p-p) to 1.0V(p-p) at V Signal Level
Input Impedance	High Impedance
Response Speed	1.5 Second (approx.)
Metering	Average to Peak Continuously Adjustable (Adjusted at AVERAGE when delivered)
Close Down	Iris closes down when the power is cut off and protects Image Sensor from strong light.

**(2) Connection for Auto Iris****(3) Remote Control of LEVEL**

Remote control of LEVEL adjustment can be done by the connection shown in the figure.



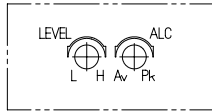
\*1. Vcc represents supply voltage from controller.

\*2. When adjust LEVEL by remote control, LEVEL variable resistor must be set between 0.5 and 1.0Vp-p at V signal level.

3-5. Environmental Temperature Range -20 to +50

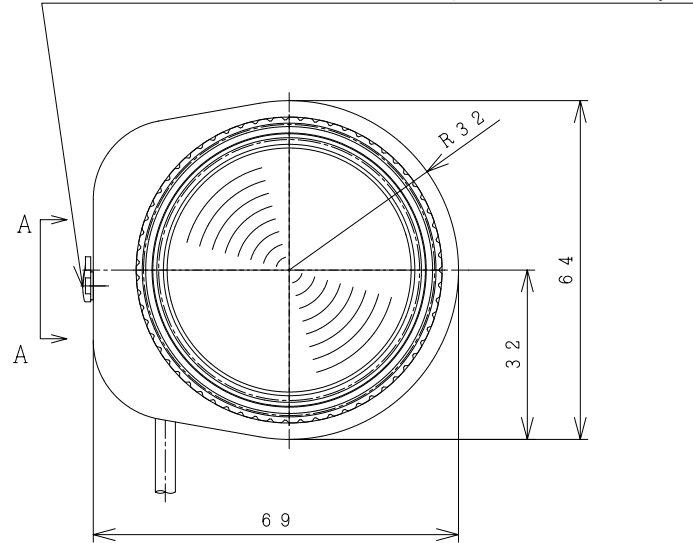
**4. Accessories**

(1) Front Lens Cap	1 piece
(2) Rear Lens Cap	1 piece
(3) Packing Box	1 piece



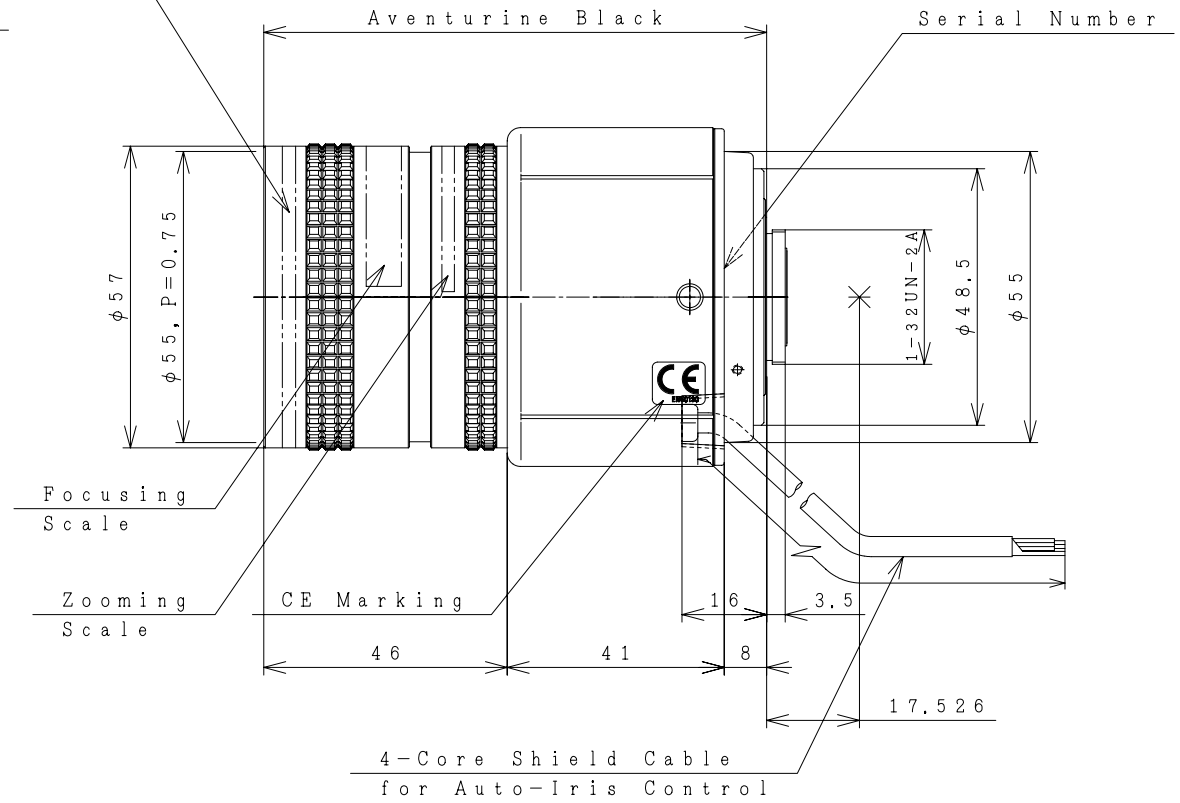
A-A (When Cap is off)

LEVEL & ALC Adjusting Window Cap



ASSEMBLED IN VIETNAM

**PENTAX TV ZOOM LENS 8-48mm 1:1.0**



Focusing Scale	4	5	7	10	20	$\infty$	ft
	1.2	1.5	2	3	7		m

Zooming Scale	48	30	20	12	8
---------------	----	----	----	----	---

Pyramid Imaging  
4951 Adamo Dr. Suite 224  
Tampa, FL 33605-5919  
Phone: 813.984.0125 Fax: 866.874.9521  
www.pyramidimaging.com

SPEC. INFO	60832-S001-000C-B33
	JAN. 13. '04
<b>PENTAX Precision Co., Ltd.</b>	